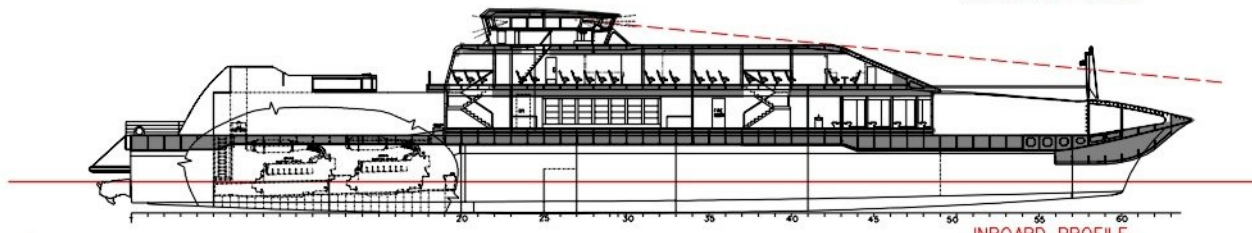
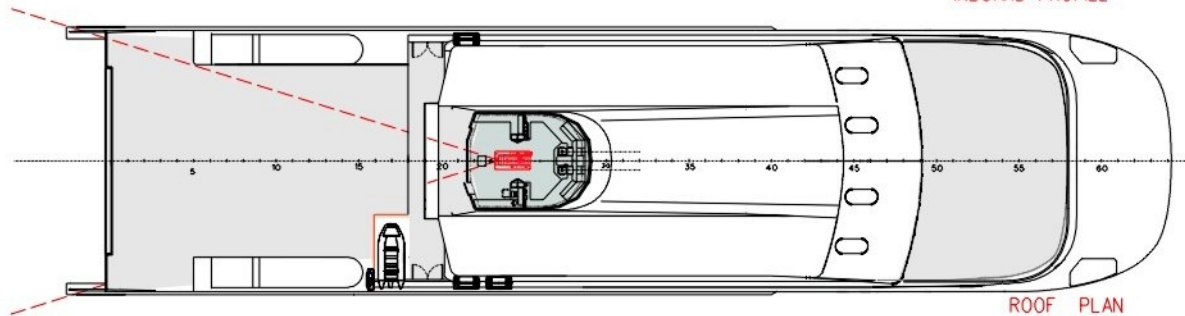


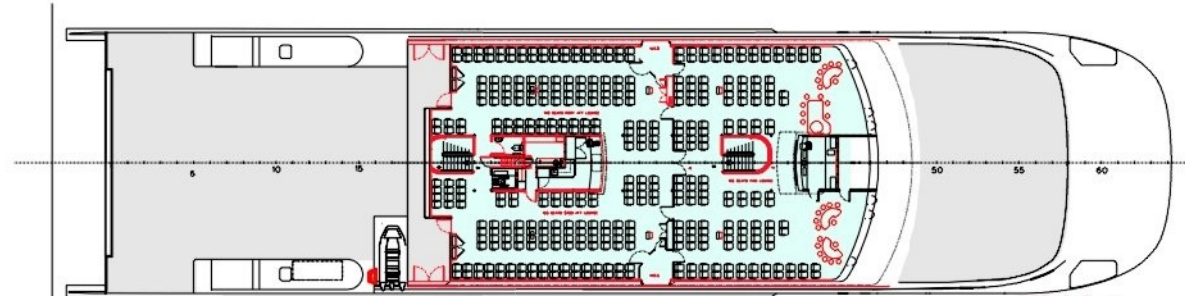
OUTBOARD PROFILE



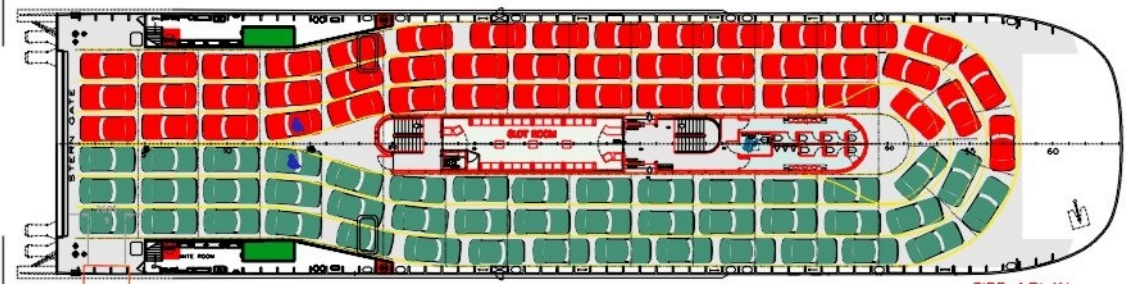
INBOARD PROFILE



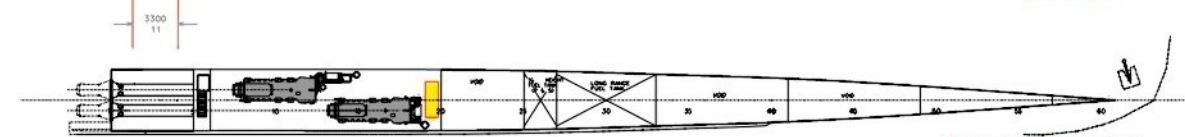
ROOF PLAN



TIER 2 PLAN
398 PASSENGERS



TIER 1 PLAN



PLAN BELOW DECKS

PARTICULARS

LENGTH OVERALL 80.1m
 WATERLINE LENGTH 72.3m
 BEAM OVERALL 19.0m
 HULL BEAM 5.0m
 HULL C.L. TO VESSEL C.L. 7.0m
 DRAFT (DESIGN)

CLASSIFICATION : HSC CATEGORY A

CAPACITIES
 PASSENGERS (MAX 400 SUBJECT TO LOCAL EVACUATION SAFETY REGULATION)

TOURIST CLASS 148 - 150 SEATS
 FIRST CLASS 100 SEATS
 WHEELHOUSE CREW 2 SEATS INCLUDED
 TOTAL 400 PERSONS
 VEHICLES 89 CARS MAX (4500x2250)

NO	REV	DATE	DESCRIPTION
01	01	10/08/08	ISSUED FOR CONSTRUCTION
02	01	10/08/08	ISSUED FOR CONSTRUCTION
03	01	10/08/08	ISSUED FOR CONSTRUCTION
04	01	10/08/08	ISSUED FOR CONSTRUCTION
05	01	10/08/08	ISSUED FOR CONSTRUCTION
06	01	10/08/08	ISSUED FOR CONSTRUCTION
07	01	10/08/08	ISSUED FOR CONSTRUCTION
08	01	10/08/08	ISSUED FOR CONSTRUCTION
09	01	10/08/08	ISSUED FOR CONSTRUCTION
10	01	10/08/08	ISSUED FOR CONSTRUCTION
11	01	10/08/08	ISSUED FOR CONSTRUCTION
12	01	10/08/08	ISSUED FOR CONSTRUCTION
13	01	10/08/08	ISSUED FOR CONSTRUCTION
14	01	10/08/08	ISSUED FOR CONSTRUCTION
15	01	10/08/08	ISSUED FOR CONSTRUCTION
16	01	10/08/08	ISSUED FOR CONSTRUCTION
17	01	10/08/08	ISSUED FOR CONSTRUCTION
18	01	10/08/08	ISSUED FOR CONSTRUCTION
19	01	10/08/08	ISSUED FOR CONSTRUCTION
20	01	10/08/08	ISSUED FOR CONSTRUCTION
21	01	10/08/08	ISSUED FOR CONSTRUCTION
22	01	10/08/08	ISSUED FOR CONSTRUCTION
23	01	10/08/08	ISSUED FOR CONSTRUCTION
24	01	10/08/08	ISSUED FOR CONSTRUCTION
25	01	10/08/08	ISSUED FOR CONSTRUCTION
26	01	10/08/08	ISSUED FOR CONSTRUCTION
27	01	10/08/08	ISSUED FOR CONSTRUCTION
28	01	10/08/08	ISSUED FOR CONSTRUCTION
29	01	10/08/08	ISSUED FOR CONSTRUCTION
30	01	10/08/08	ISSUED FOR CONSTRUCTION
31	01	10/08/08	ISSUED FOR CONSTRUCTION
32	01	10/08/08	ISSUED FOR CONSTRUCTION
33	01	10/08/08	ISSUED FOR CONSTRUCTION
34	01	10/08/08	ISSUED FOR CONSTRUCTION
35	01	10/08/08	ISSUED FOR CONSTRUCTION
36	01	10/08/08	ISSUED FOR CONSTRUCTION
37	01	10/08/08	ISSUED FOR CONSTRUCTION
38	01	10/08/08	ISSUED FOR CONSTRUCTION
39	01	10/08/08	ISSUED FOR CONSTRUCTION
40	01	10/08/08	ISSUED FOR CONSTRUCTION
41	01	10/08/08	ISSUED FOR CONSTRUCTION
42	01	10/08/08	ISSUED FOR CONSTRUCTION
43	01	10/08/08	ISSUED FOR CONSTRUCTION
44	01	10/08/08	ISSUED FOR CONSTRUCTION
45	01	10/08/08	ISSUED FOR CONSTRUCTION
46	01	10/08/08	ISSUED FOR CONSTRUCTION
47	01	10/08/08	ISSUED FOR CONSTRUCTION
48	01	10/08/08	ISSUED FOR CONSTRUCTION
49	01	10/08/08	ISSUED FOR CONSTRUCTION
50	01	10/08/08	ISSUED FOR CONSTRUCTION
51	01	10/08/08	ISSUED FOR CONSTRUCTION
52	01	10/08/08	ISSUED FOR CONSTRUCTION
53	01	10/08/08	ISSUED FOR CONSTRUCTION
54	01	10/08/08	ISSUED FOR CONSTRUCTION
55	01	10/08/08	ISSUED FOR CONSTRUCTION
56	01	10/08/08	ISSUED FOR CONSTRUCTION
57	01	10/08/08	ISSUED FOR CONSTRUCTION
58	01	10/08/08	ISSUED FOR CONSTRUCTION
59	01	10/08/08	ISSUED FOR CONSTRUCTION
60	01	10/08/08	ISSUED FOR CONSTRUCTION
61	01	10/08/08	ISSUED FOR CONSTRUCTION
62	01	10/08/08	ISSUED FOR CONSTRUCTION
63	01	10/08/08	ISSUED FOR CONSTRUCTION
64	01	10/08/08	ISSUED FOR CONSTRUCTION
65	01	10/08/08	ISSUED FOR CONSTRUCTION
66	01	10/08/08	ISSUED FOR CONSTRUCTION
67	01	10/08/08	ISSUED FOR CONSTRUCTION
68	01	10/08/08	ISSUED FOR CONSTRUCTION
69	01	10/08/08	ISSUED FOR CONSTRUCTION
70	01	10/08/08	ISSUED FOR CONSTRUCTION
71	01	10/08/08	ISSUED FOR CONSTRUCTION
72	01	10/08/08	ISSUED FOR CONSTRUCTION
73	01	10/08/08	ISSUED FOR CONSTRUCTION
74	01	10/08/08	ISSUED FOR CONSTRUCTION
75	01	10/08/08	ISSUED FOR CONSTRUCTION
76	01	10/08/08	ISSUED FOR CONSTRUCTION
77	01	10/08/08	ISSUED FOR CONSTRUCTION
78	01	10/08/08	ISSUED FOR CONSTRUCTION
79	01	10/08/08	ISSUED FOR CONSTRUCTION
80	01	10/08/08	ISSUED FOR CONSTRUCTION
81	01	10/08/08	ISSUED FOR CONSTRUCTION
82	01	10/08/08	ISSUED FOR CONSTRUCTION
83	01	10/08/08	ISSUED FOR CONSTRUCTION
84	01	10/08/08	ISSUED FOR CONSTRUCTION
85	01	10/08/08	ISSUED FOR CONSTRUCTION
86	01	10/08/08	ISSUED FOR CONSTRUCTION
87	01	10/08/08	ISSUED FOR CONSTRUCTION
88	01	10/08/08	ISSUED FOR CONSTRUCTION
89	01	10/08/08	ISSUED FOR CONSTRUCTION
90	01	10/08/08	ISSUED FOR CONSTRUCTION
91	01	10/08/08	ISSUED FOR CONSTRUCTION
92	01	10/08/08	ISSUED FOR CONSTRUCTION
93	01	10/08/08	ISSUED FOR CONSTRUCTION
94	01	10/08/08	ISSUED FOR CONSTRUCTION
95	01	10/08/08	ISSUED FOR CONSTRUCTION
96	01	10/08/08	ISSUED FOR CONSTRUCTION
97	01	10/08/08	ISSUED FOR CONSTRUCTION
98	01	10/08/08	ISSUED FOR CONSTRUCTION
99	01	10/08/08	ISSUED FOR CONSTRUCTION
100	01	10/08/08	ISSUED FOR CONSTRUCTION

THE DRAWING AND THE INFORMATION CONTAINED
 HEREIN IS UNCLASSIFIED AND IS NOT TO BE
 REPRODUCED OR TRANSMITTED IN ANY FORM OR
 BY ANY MEANS, ELECTRONIC OR MECHANICAL,
 INCLUDING PHOTOCOPYING, RECORDING, OR BY
 INFORMATION STORAGE AND RETRIEVAL SYSTEMS,
 WITHOUT PERMISSION IN WRITING.

K 50 CATAMARAN
 CAR FERRY
 STANDARD GENERAL ARRANGEMENT

NO: 08-09-32-001

