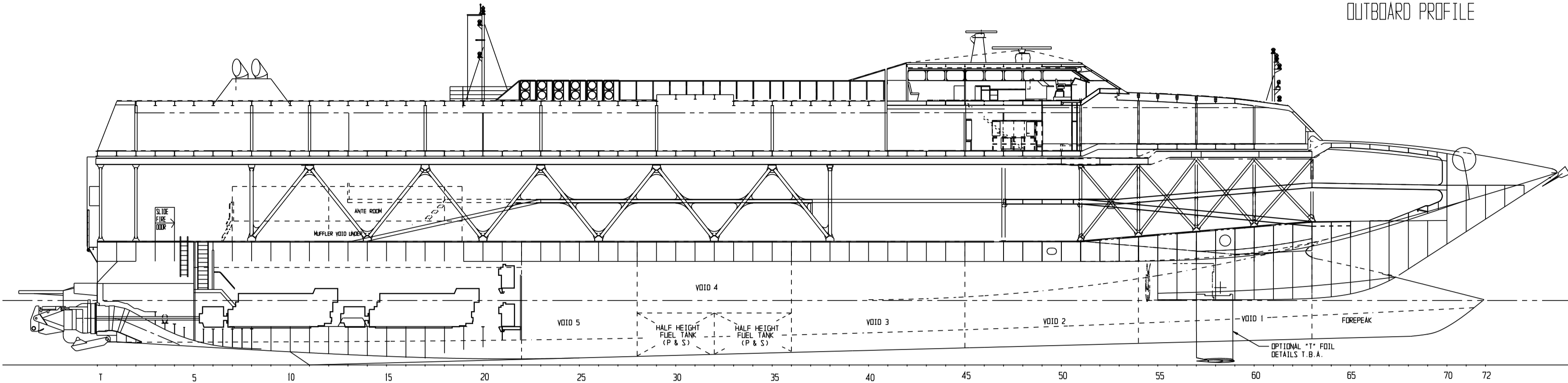
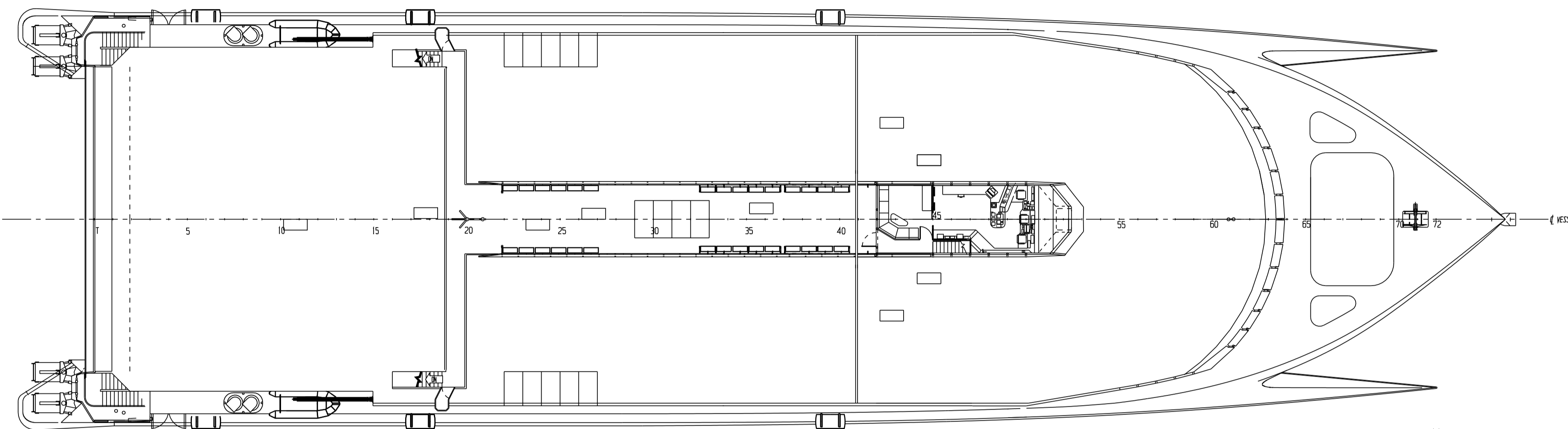


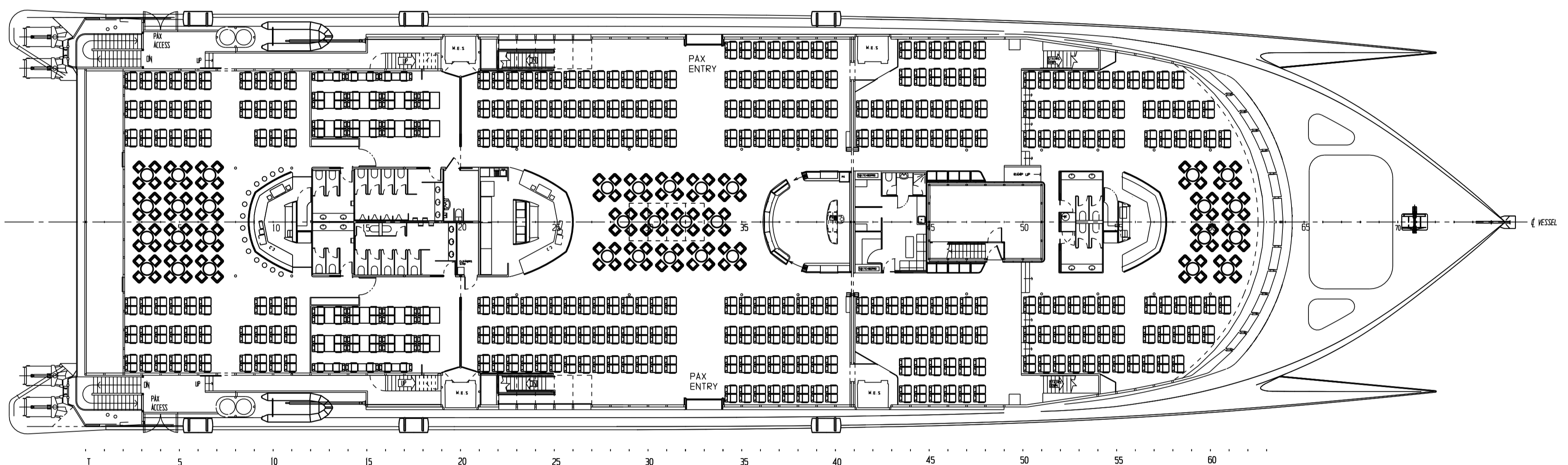
OUTBOARD PROFILE



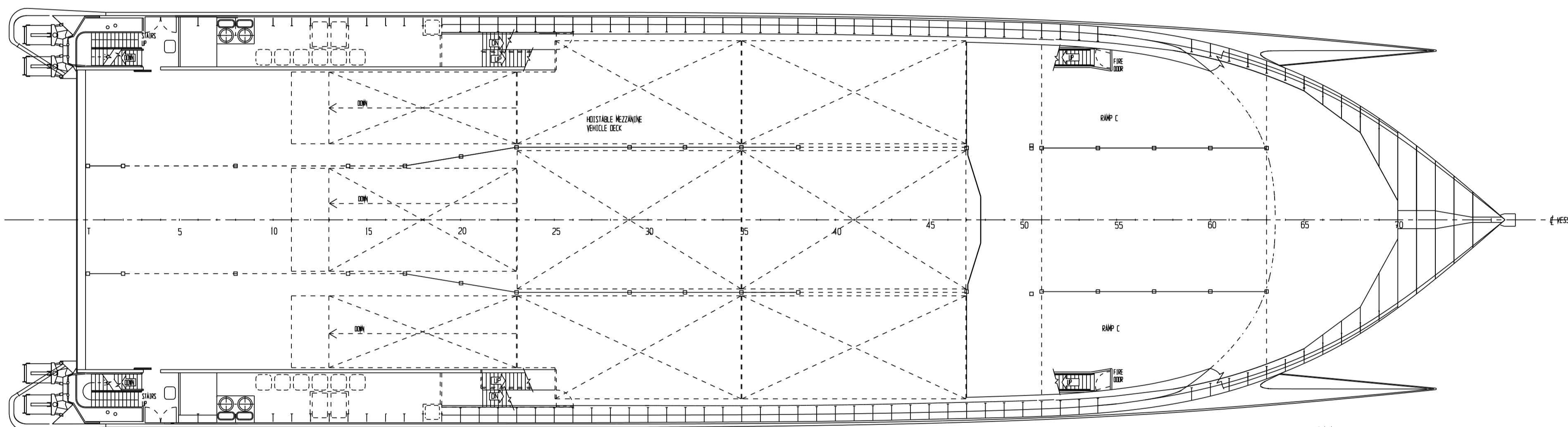
INBOARD PROFILE



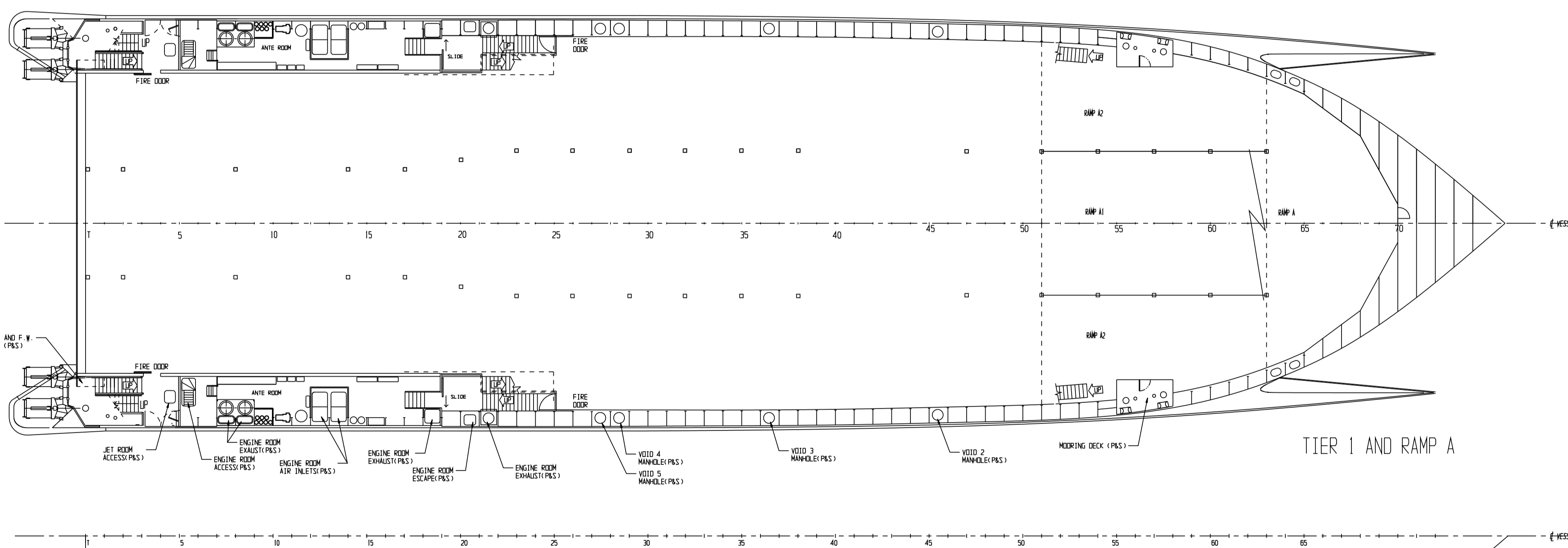
TIER 2 ROOF PLAN AND WHEELHOUSE LAYOUT



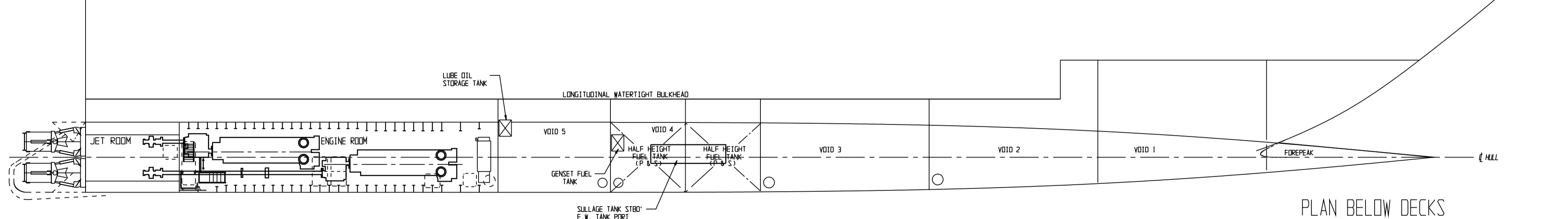
TIER 2 PASSENGER DECK



RAMP B & C



TIER 1 AND RAMP A



PLAN BELOW DECKS

DRAWING No	REFERENCE DRAWINGS

G	13-3-00		PAX RAMP ADDED PORT SIDE FR 49-51, ROOF WALKWAY EXT'N PAS FR 18-19, GEN UPDATE
F	01-MAR-00	GLD	KIOSK LAYOUT, CREW ROOM AND SHOP LAYOUT MODIFIED TO CLIENT REQUESTS.
E	27-FEB-00	IML	NEW PAX LAYOUT INCL NEW MID SHIP SIDE ENTRY
D	27-JAN-00	IML	EPADON AIR INTAKES INDICATED
C	10-JAN-00	IML	LONGITUDINAL BULKHEAD BELOW DECKS REVISED
B	15-OCT-99	CAP	MISC UPDATES TO SUIT 055 AS BUILT
A	26-AUG-99	IML	CREWS SHOWER / TOILET MIRRORED
NO	DATE	DRN / CKD	REVISION
YARD NO.	056		LEVELLED DESIGNED BY
		18 BENDER DRIVE MIDDAH TASMANIA 7009 AUSTRALIA TELEPHONE (03) 62730677 FACSIMILE (03) 62730672	
TITLE 89m WAVE PIERCING CATAMARAN FERRY		DRAWN BY G.DODLEY	SCALE 1/200
GENERAL ARRANGEMENT		CHECKED BY <i>CR</i>	DATE 23-AUG-99
ORG. No. 056-09-32-001		REV G	