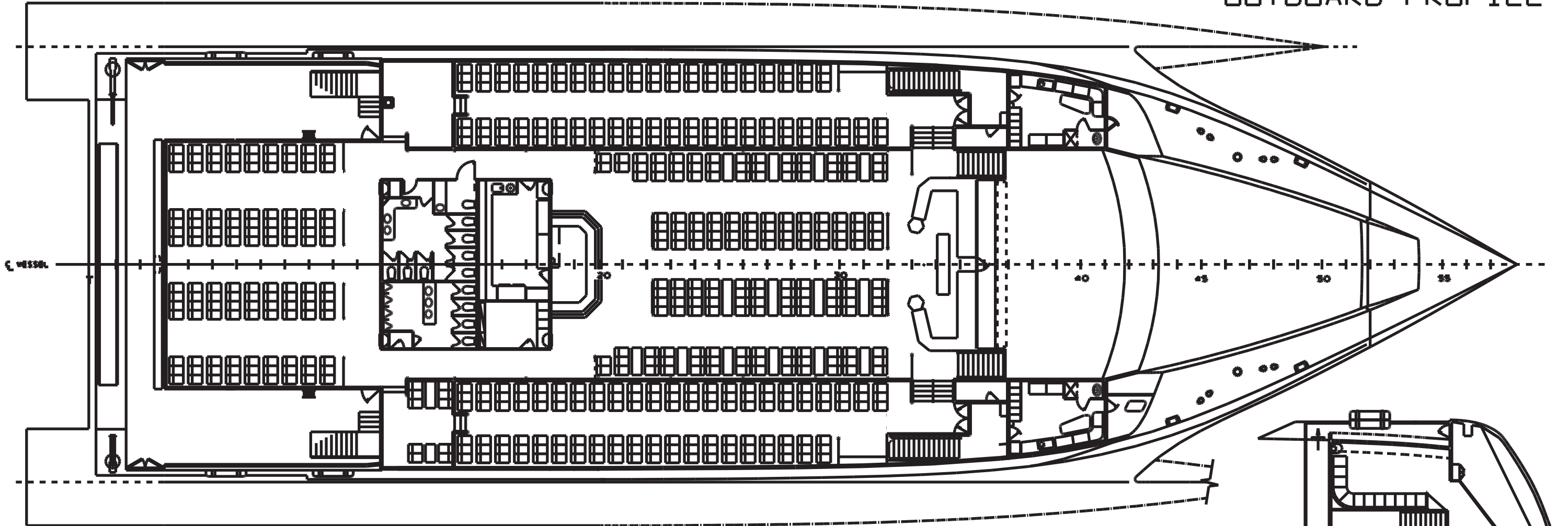
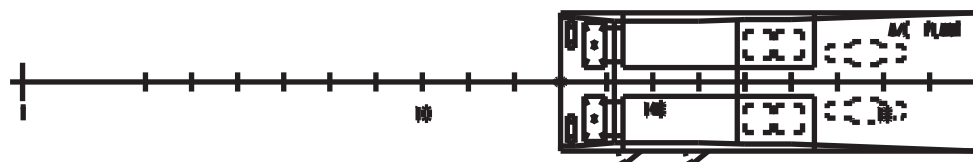


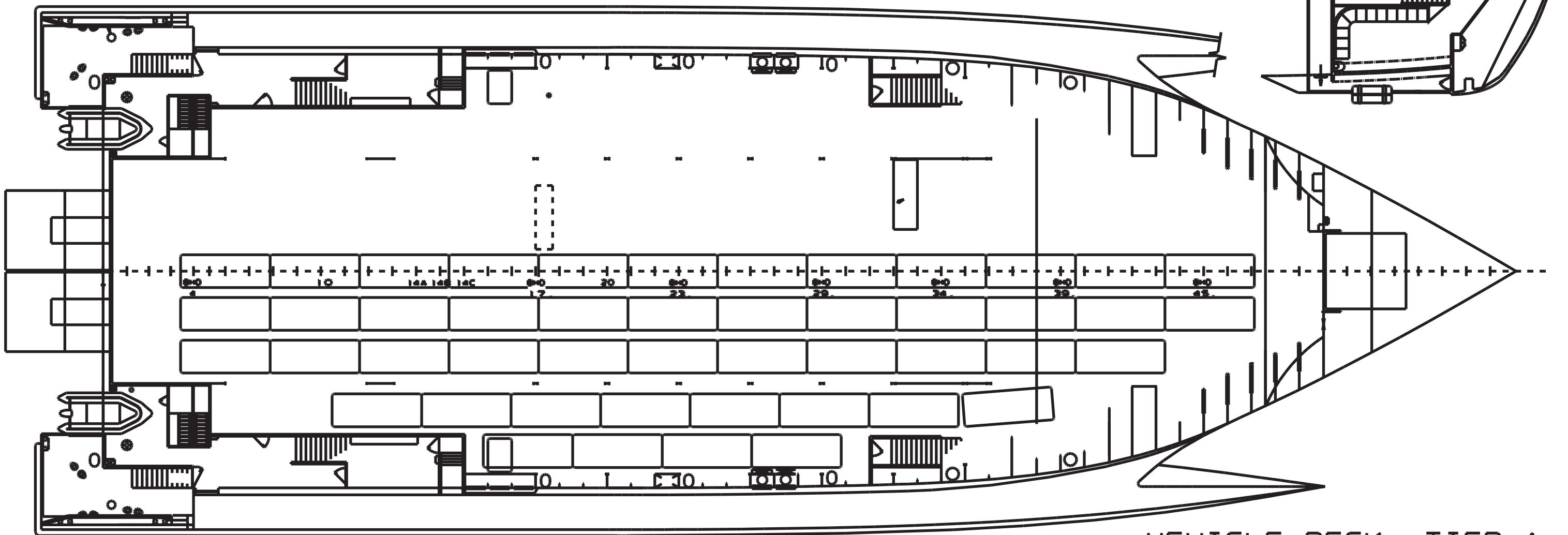
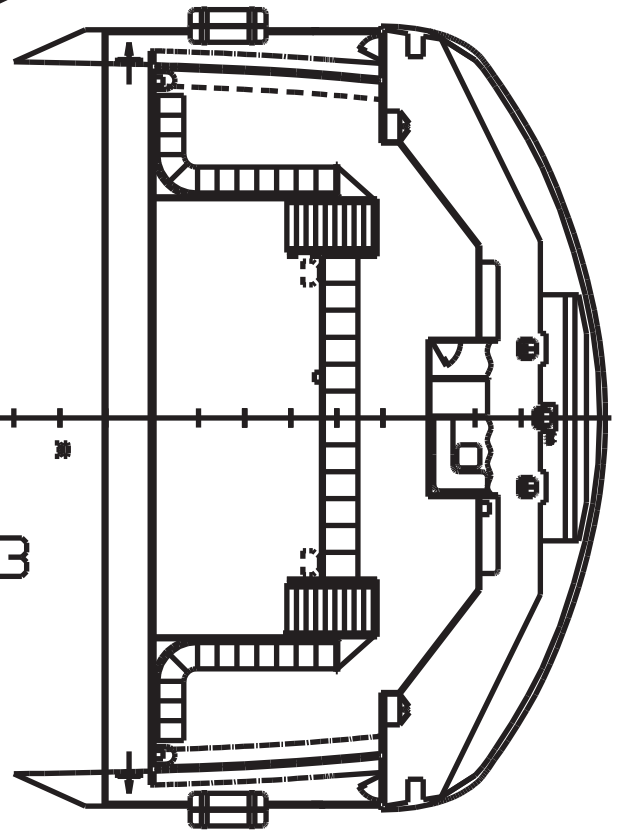
OUTBOARD PROFILE



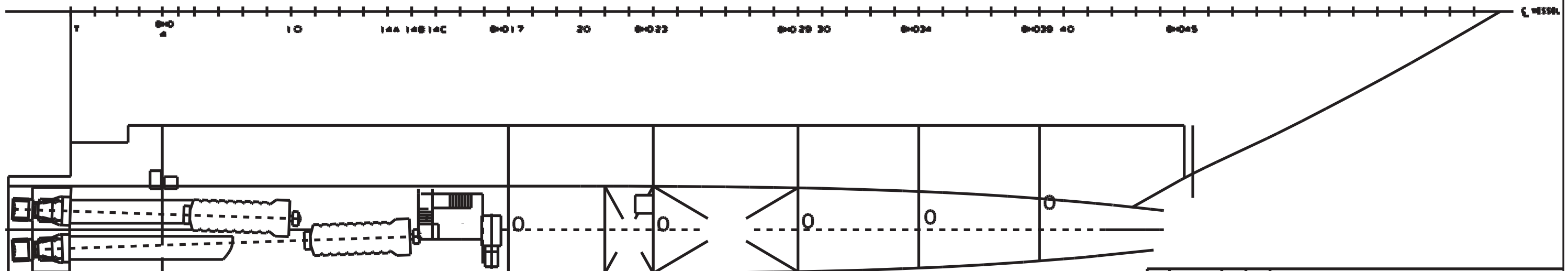
PASSENGER DECK, TIER 2



WHEELHOUSE, TIER 3



VEHICLE DECK, TIER 1



PLAN BELOW DECKS

NO.	DATE	BY	CHKD	REVISION
1				UPON TO AS BUILT
YARD NO.	030			
74th WAVE PIERING CATAMARAN FERRY GENERAL ARRANGEMENT		DESIGNED BY RACHEL RODMAN CHECKED BY CR	SCALE 1:100 SHEET 22 OF 27	PROJECT NO. 030-09-32-001